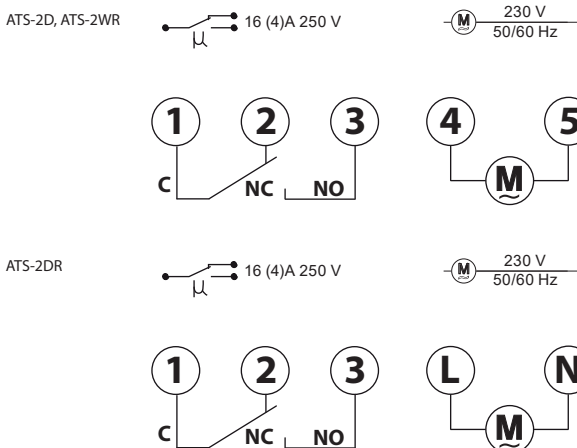




EAN code  
 ATS-2D: 8595188182126  
 ATS-2DR: 8595188182188  
 ATS-2WR: 8595188182140

Technical parameters	ATS-2D	ATS-2DR	ATS-2WR
<b>Supply</b>			
Supply terminals:	4-5	L-N	4-5
Supply voltage:	AC 230 V (50/60 Hz)		
Consumption (max.):	1.6 VA/1 W		
Supply voltage tolerance:	-10%; +10%		
<b>Time circuit</b>			
Program:	daily	daily	weekly
Number of switching segments:	48		
Minimum switching interval:	30 mins	30 mins	3.5 hrs
Operating accuracy:	±2 s/day		
Power reserve:	x	max. 150 hrs	
<b>Output</b>			
Contact type:	1x changeover (AgNi)	1x changeover (AgCdO15)	1x changeover (AgNi)
Rated current:	16 A/AC1		
Breaking capacity:	3500 VA/AC1		
Switching voltage:	250 V AC		
Mechanical life:	2.000.000 ops.	100.000 ops.	2.000.000 ops.
Electrical life (AC1):	100.000 ops.	30.000 ops.	100.000 ops.
<b>Other information</b>			
Operating temperature:	-10 .. +50 °C (14 .. 122 °F)		
Storage temperature:	-10 .. +50 °C (14 .. 122 °F)		
Dielectric strength:	AC 4 kV (supply – output)		
Operating position:	any		
Mounting:	DIN rail EN 60715		
Protection degree:	IP20		
Overvoltage category:	III.		
Pollution degree:	2		
Cross-wire section – solid/stranded with ferrule (mm <sup>2</sup> ):	max. 1x 4, 2x 1.5/ max. 1x 4, 2x 1.5 (AWG 12)		
Dimensions:	91 x 36 x 61 mm (3.6" x 1.4" x 2.4")		
Weight:	120 g (4.25 oz)		
Standards:	EN 61812-1, EN 60730-1		

**Connection**



- The mechanical time switch is a simple and inexpensive alternative to digital time switches for controlling heating, ventilation, cooling, lighting systems or pumps depending on real time.
- Power reserve after power off for up to 150 hours after fully charged.
- Sealable transparent front panel cover.
- The ATS-2DR package includes a plastic DIN rail.
- Selection of operating modes using the switch on the panel:

**ATS-2D, ATS-2WR**

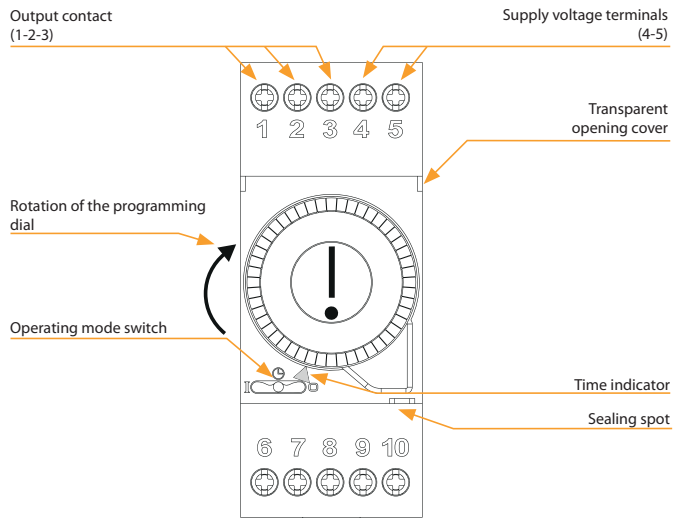
- ⌚ switches automatically according to the set program
- I permanently closes
- O permanently opens

**ATS-2DR**

- I permanently closes
- II switches automatically according to the set program

**Description**

**ATS-2D, ATS-2WR**



**ATS-2DR**

