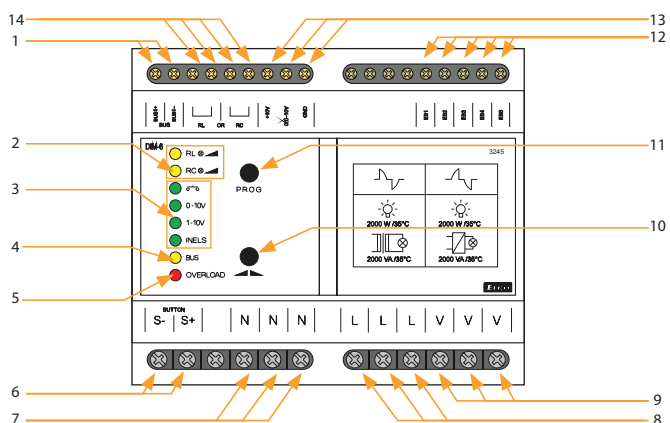


EAN code  
DIM-6 /230 V: 8595188136914

Technical parameters	DIM-6
Supply terminals:	L, N
Supply voltage:	AC 230 V (50 Hz)
Burden (unloaded):	max. 4 VA/3.2 W
Max. dissipated power:	6 W
Tolerance of voltage range:	-15 %; +10 %
Max. output power:	max. 2 000 VA
Module extendable:	to 10 000 VA
Galvanic separation of BUS and power output:	Yes
Isul. volt. between outputs and inner circuits:	3.75 kV, SELV according to EN 60950
<b>Control - button type</b>	
Control voltage:	AC/DC 12-240 V
Control terminals:	S-, S+, galvanically separated
Power of control input (max.):	0.53 VA (AC 12-240 V), 0.35W (DC 12-240V)
Length of control impulse:	min. 25 ms/max. unlimited
Recovery time:	max. 150 ms
Connection of glow lamps:	No
<b>Control 0(1)-10 V</b>	
Control terminals:	0(1)-10 V, GND
Control voltage:	0-10 V or 1-10 V
Min. current of control input:	1 mA
<b>BUS control:</b>	
Control terminals:	BUS+, BUS-
BUS voltage:	27 V DC
Current of control input:	5 mA
Indication of data transmission:	yellow LED
<b>Output</b>	
Contactless:	4 x MOSFET
Current rating:	10 A
Resistive load:	2 000 VA*
Inductive load:	2 000 VA*
Capacitive load:	2 000 VA*
Indication of output state:	yellow LED, according to load type
<b>Other information</b>	
Operating temperature:	-20 °C to +35 °C (-4 °F to 95 °F)
Storing temperature:	-30 °C to +70 °C (-22 °F to 158 °F)
Operating position:	vertical
Mounting:	DIN rail EN 60715
Protection degree:	IP40 from front panel
Purpose of control device:	operative control device
Construction of control device:	individual control device
Char. of automatic operation:	1.B.E
Heat and fire resistance cat.:	FR-0
Anti-stroke category (immunity):	class 2
Rated impulse voltage:	2.5 kV
Overvoltage category:	III.
Pollution level:	2
Profile of connecting wires (mm <sup>2</sup> )	
output part:	max.1x2.5, max. 2x1.5/with sleeve max. 1x1.5 (AWG 12)
control part:	max.1x2.5, max. 2x1.5/with sleeve max. 1x2.5 (AWG 12)
Dimensions:	90 x 105 x 65 mm (3.5" x 4.1" x 2.6")
Weight:	392 g (13.8 oz.)
Standards:	EN 60669-1, EN 60669-2-1

- Designed for dimming of incandescent bulbs and halogen lights with wound or electronic transformer and Dimmable LED<sup>2</sup>.
- DIM-6 control options:
  - button (parallel button connection)
  - external potentiometer
  - analog signal 0-10 V (1-10 V)
  - iNELS BUS system.
- The DIM-6 can connect up to 8 pieces of DIM6-3M-P and control up to 10.000 VA.
- Electronic overcurrent protection, overvoltage and short-circuit protection.
- Protection against over-heating inside device - switch off output + signalize overheat by flashing red LED.
- 6-MODULE version, DIN rail mounting.

## Description

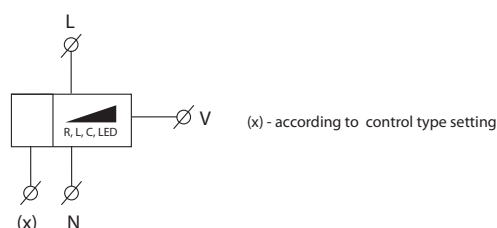


- |                                |   |   |
|--------------------------------|---|---|
| 1 Terminals for BUS connection | 6 Terminals for connecting control button | 11 Button for output control                                      |
| 2 Load type indication         | 7 Terminals of neutral wire               | 12 Terminal for additional modul conductor bar                    |
| 3 Control type indication      | 8 Terminal for phase conductor connection | 13 Terminals for control by signal 0(1)-10 V, or by potentiometer |
| 4 BUS data transfer indication | 9 Output terminals                        | 14 Terminal for regulation load of wire jumper                    |
| 5 Overload indication          | 10 Button for output control              |   |

## Types of indication LED

- RL - Yellow - indicates configuration of load RL
- RC - Yellow - indicates configuration of load RC
- Green - button control mode selected
- 0-10V - Green - 0-10 V signal control mode selected
- 1-10V - Green - 1-10 V signal control mode selected
- iNELS - Green - BUS conductor bar-iNELS control mode selected
- BUS - Yellow - indicates data transfer communication of BUS
- OVERLOAD - Red - indicates overload, flashing LED signalizes over-heating inside the device, shinning LED signalizes current overload

## Symbol



\* Warning: it is not allowed to connect inductive and capacitive loads at the same time.