

Artikel
DA3-66M /230: 8595188182065
DA3-66M /120: 8595188174459

Technical parameters DA3-66M/230V DA3-66M/120V

Inputs	
Input:	6x contactless outputs, 2x MOSFET / channel
Load type:	resistive, inductive, capacitive**, LED, ESL
Isolation BUS separated from all internal circuits and outputs:	reinforced insulation (Cat. II surges by EN 60664-1)
Insulation voltage between units power outputs:	max. 500 V AC
Minimal controlled load:	10 VA
Maximal controlled load:	DA3-66M / 230V: 150 VA for each channel DA3-66M / 120V: 75 VA for each channel possibility of parallel connection of outputs
Inputs:	6x galvanically separated
Input voltage:	20–230 AC(50–60 Hz)/DC
Isolation voltage:	between inputs max. 230 VAC/DC (basic insulation) to all other internal circuits: reinforced insulation: overvoltage category II
Maximum cable length:	50 m
Glow plug connection:	no
Output indication ON/OFF:	6x yellow LED
Device protection:	thermal/short-term overload/ long-term overload

Communication	
Installation BUS:	BUS

Power supply	
Supply voltage by BUS/ tolerance:	27 V DC, -20/+10 %
Rated current:	100 mA (at 27 V DC), from BUS
Status indication unit:	green LED RUN
Supply voltage for power section/tolerance:	AC 230 V (50 Hz), -15/+10 % AC 120 V (60 Hz), -15/+10 %

Connection	
Terminal:	max. 2.5 mm ² /1.5 mm ² with sleeve

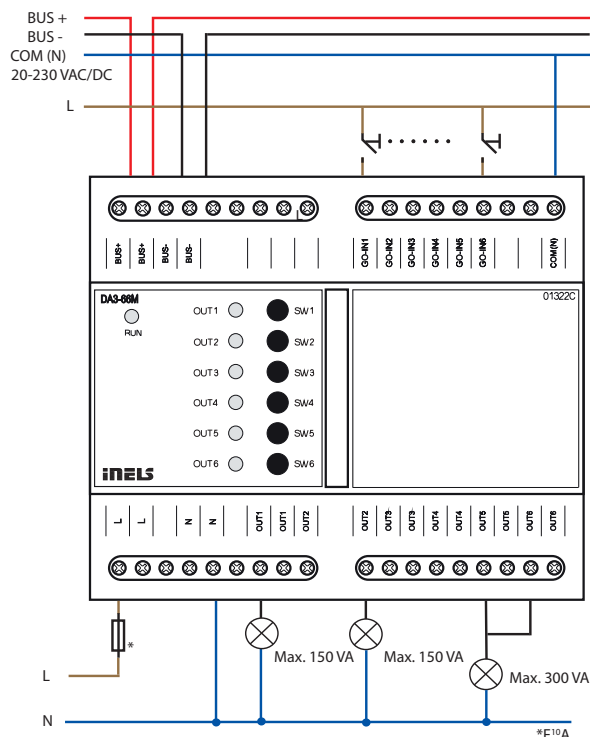
Operating conditions	
Air humidity:	max. 80 %
Operating temperature:	-20 to +50 °C
Storing temperature:	-30 to +70 °C
Protection degree:	IP20 device, IP40 mounting in the switchboard
Overvoltage category:	II.
Pollution degree:	2
Operating position:	vertical
Installation:	switchboard on DIN rail EN 60715
Design:	6-MODULE

Dimensions and weight	
Dimensions:	90 x 105 x 65 mm
Weight:	320 g

* **Attention:** It is not allowed to connect loads of inductive and capacitive character, at the same time.

- DA3-66M is a universal dimming 6-channels actuator, which is used to control the brightness of dimmable light sources such as ESL, LED and RLC with 230 V power supply.
- The DA3-66M has 6 semiconductor controlled 230 V AC outputs. The maximum possible load is 150 VA for each channel.
- The individual outputs of the dimmer can be connected in parallel and thus increase the maximum output load at the expense of the number of outputs.
- Each output channel is independently controllable and addressable.
- The type of light source is set with a switch on the front of the device.
- By setting the min, the brightness potentiometer on the front of the device eliminates flickering of different types of light sources.
- Min. brightness and type of load is performed using SW IDM.
- Use the control buttons on the front panel to manually control the output.
- The actuator is equipped with electronic overcurrent and thermal protection, which switches off the output in case of overload, short circuit, overheating.
- During installation, it is necessary to leave at least half of the module space free on each side of the actuator for better cooling.
- DA3-66M is in 6-MODULE version and is intended for mounting in a switchboard on DIN rail EN60715.
- The dimmer has 6 galvanically separated inputs which can be used both to control the dimmer and as a binary input to the INELS system.
- The the device supply (potential L) must be protected with a safety device corresponding to the power input of the connected load, e.g. with a quick-release fuse.

Connection



Types of connectable loads

type of source	symbol	description
R resistive		ordinary light bulb, halogen lamp
L inductive		coiled transformer for low-voltage halogen lamps
C capacitive		electronic transformer for low-voltage halogen lamps
LED		LED lamps and LED light sources, 230 V
ESL		dimnable energy-saving fluorescent tubes