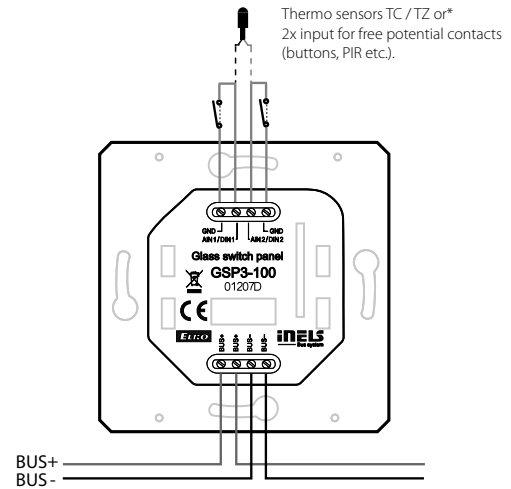


Characteristics

- Glass Touch Panel GSP3-100 is part of a comprehensive iNELS series of units for the management of the hotel rooms (GRMS), but the unit can be used wherever it is required to control multiple devices from one location.
- GSP3-100 is equipped with ten touch buttons whose functions can easily be edited using the software.
- The graphics of individual symbols are possible based on consultations with manufacturers to change and adapt to the requirements of the investor.
- Individual symbols can be illuminated in one of seven colours - red, green, blue, yellow, pink, turquoise and white = R,G,B + CMYK.
- Glass touch panel is a design component of the iNELS system and is available in elegant black (GSP3-100/B) and white (GSP3-100/W) versions.
- Compared with standard glass touchscreen controllers with symbols GSB3-20/SB, GSB3-20/SW, GSB3-40/SB, GSB3-40/SW, GSB3-60/SB and GSB3-60/SW the GSP3-100 is one and a half times the width.
- The touch panel is equipped with an integrated temperature sensor. It is also equipped with two analogue-to-digital inputs (AIN/DIN), which can be used to connect two potential free contacts or one external temperature sensor TC / TZ (e.g. For measuring the temperature of the floor).
- The touch panel is also equipped with an ambient light intensity sensor. Based on information from the sensor it can light up indicative illumination symbols or perform various actions with the iDM3 software, e.g. To also switch the lighting circuits in the room.
- Advantages over conventional switches / buttons is saving space, signalling the state of any system output, the ability to measure temperature and an option to connect external pushbuttons or detectors.
- Each button can control any actuator (appliance) in the system. Also, you can assign a different function or macro (set of functions) to each button. It is therefore possible to use one button to control several appliances.
- GSP3-100 is designed for mounting into an installation box.
- Package includes:
 - 2x 031.01 screws 3x20 mm flat head frame

Connection



*The choice is made in iDM3 for each unit separately.

General instructions

CONNECTION TO THE SYSTEM, INSTALLATION BUS

iNELS3 peripheral units are connected to the system through the BUS installation. Installation BUS conductors are connected to the terminal units to BUS+ and BUS- terminals, wires cannot be interchanged. For installation of BUS it is necessary to use a cable with a twisted pair of wires with a diameter of at least 0.8 mm, the recommended cable is iNELS BUS Cable, whose features best meet the requirements of the BUS installation. Bearing in mind that in terms of all the properties it is possible in most cases also use the cable JYSTY 1x2x0.8 or JYSTY 2x2x0.8, however it is not recommended as the best option. In the case of a cable with two pairs of twisted wires it is not possible to use the second pair of the other for modulated signal due to the speed of communications; it is not possible within one cable to use one pair for one segment BUS and the second pair for the second segment BUS. For installation of BUS it is vital to ensure that it is kept at a distance from the power lines of at least 30 cm and must be installed in accordance with its mechanical properties. To increase mechanical resistance of cables we recommend installation into a conduit of suitable diameter. BUS topology installation is free except for the ring, wherein each end of the bus must terminate at the terminals BUS + and BUS- peripheral unit. While maintaining all the above requirements, the maximum length of one segment of the installation BUS can reach up to 550 m. Due to the data communication and supply of units in one pair of wires, it is necessary to keep in mind the diameter of wires with regards to voltage loss on the lead and the maximum current drawn. The maximum length of the BUS applies provided that they comply with the tolerance of the supply voltage.

CAPACITY AND CENTRAL UNIT

It is possible to connect to the central unit CU3-01M or CU3-02M two independent BUSES by means of terminals BUS1+, BUS1- and BUS2+, BUS2-. It is possible to connect to each BUS up to 32 units, so it is possible to connect directly to the central unit a total of 64 units. It is necessary to comply with the requirement of a maximum load of one BUS line - maximum up to 1000 mA current. When connecting units which draw greater than 1A, BPS3-01M with 3A sampling can be used. It is the sum of the rated currents of the units connected to the BUS line, other units can be connected using the units MI3-02M, which generate further BUSES. These are connected to the CU3 unit via the system BUS EBM and you can connect a total of 8 units via EBM BUS to the central unit MI3-02M.

SUPPLYING THE SYSTEM

For supplying power to system units, it is recommended to use the power source of ELKO EP titled PS3-100/iNELS. We recommend backing up the system with backup batteries connected to the source of PS3-100/iNELS (see sample diagram of connecting the control system).

GENERAL INFORMATION

To operate the unit, it is necessary that the unit is connected to a central unit CU3 series, connected to the central unit of the system CU3, or to a system that already contains this unit as its expansion to include further system.

All unit parameters are set through the central unit CU3-01M in the software iDM3.

There is LED diode on the PCB for indication of supply voltage and communication with the central unit series CU3. In case that the RUN diode flashes at regular intervals, so there is standard communication between the unit and BUS. If the RUN diode lights permanently, so the unit is supplied from BUS, but there is no communication between BUS and unit. In case that RUN diode is OFF, so there is no supply voltage on the terminals BUS+ and BUS-.

GSP3-100
Inputs

| | |
|--|--|
| Temperature measuring: | YES, built-in temperature sensor |
| Scope and accuracy of temp. measurement: | 0.. +55 °C; 0.3 °C from the range |
| Inputs: | 2x AIN/DIN |
| Resolution: | by setting 10-bit |
| External temperature sensor: | YES, the connection between AIN1/DIN1 and AIN2/DIN2 |
| Type external sensor: | TC/TZ |
| Temperature measurement range: | -20 °C .. +120 °C |
| Temperature measurement accuracy: | 0.5 °C from the range |

Buttons

| | |
|----------------------------|-----------------------------|
| Number of control buttons: | 10 |
| Type: | capacitive |
| Indication: | coloured illuminated symbol |

Outputs

| | |
|------------------|-----------------|
| Acoustic output: | piezo-changer |
| Tactile output: | vibration motor |

Communication

| | |
|-------------------|-----|
| Installation BUS: | BUS |
|-------------------|-----|

Power supply

| | |
|-----------------------------|--------------------------------|
| Supply voltage / tolerance: | 27 V DC, -20 / +10 % |
| Dissipated power: | 0.5 W |
| Rated current: | 25-65 mA (at 27V DC), from BUS |

Connection

| | |
|------------|-------------------------|
| Terminals: | 0.5 - 1 mm ² |
|------------|-------------------------|

Operating conditions

| | |
|------------------------|---|
| Relative humidity: | max. 80 % |
| Operating temperature: | -20 .. +55 °C |
| Storing temperature: | -30 .. +70 °C |
| Protection degree: | IP20 |
| Overvoltage category: | II. |
| Pollution degree: | 2 |
| Operation position: | any |
| Installation: | on the wall, observing the conditions for correct installation of the thermostat |

Dimensions and weight

| | |
|-------------|------------------|
| Dimensions: | 142 x 94 x 36 mm |
| Weight: | 208 g |

Before the device is installed and operated, read this instruction manual carefully and with full understanding and Installation Guide System iNELS3. The instruction manual is designated for mounting the device and for the user of such device. It has to be attached to electro-installation documentation. The instruction manual can be also found on a web site www.inels.com. Attention, danger of injury by electrical current! Mounting and connection can be done only by a professional with an adequate electrical qualification, and all has to be done while observing valid regulations. Do not touch parts of the device that are energized. Danger of life-threat! While mounting, servicing, executing any changes, and repairing it is essential to observe safety regulations, norms, directives and special regulations for working with electrical equipment. Before you start working with the device, it is essential to have all wires, connected parts, and terminals de-energized. This instruction manual contains only general directions which need to be applied in a particular installation. In the course of inspections and maintenance, always check (while de-energized) if terminals are tightened.