



EAN code
LIC-1 + SKS: 8595188144933
SKS photosensor: 8594030337288

SKS

Technical parameters	LIC-1
Supply terminals:	A1 - A2
Supply voltage:	AC 230 V / 50 - 60 Hz
Burden (unloaded):	max. 1.6 VA / 0.8 W
Max. dissipated power:	1 W
Supply voltage tolerance:	±15 %
Power supply indication:	green LED
Control	
Button - control. terminals:	A1 - T
Control voltage:	AC 230 V
Control input power:	max. 0.6 VA
Control impulse length:	min. 80 ms / max. unlimited
Glow tubes connection (terminals: A1 - T):	Yes
Maximum number of connected glow lamps the control input:	230 V - max. amount 50 pcs (measured with glow lamp 0.68 mA / 230 V AC)
Blocking input - terminals:	A1 - B
Control. voltage:	AC 230 V
Supply:	max. 0.1 VA
Connect glow-lamps (terminals A1 - B):	No
Impulse length:	min. 80 ms / max. unlimited
Output	2x MOSFET
Output status indication:	red LED
Load capacity*:	300 W (at cos φ = 1)
Other information	
Operating temperature:	-20 °C to +35 °C (-4 °F to 95 °F)
Storage temperature:	-20 °C to +60 °C (-4 °F to 140 °F)
Operating position:	any
Mounting:	DIN rail EN 60715
Ingress protection:	IP40 from front panel / IP10 terminals
Overvoltage category:	III.
Contamination degree:	2
Connecting conductor cross-section (mm ²):	solid wire max. 2x 2.5 or 1x 4 with sleeve max. 1x 2.5 or 2x 1.5 (AWG 12)
Dimensions:	90 x 17.6 x 64 mm (3.5" x 0.7" x 2.5")
Weight:	66 g (2.33 oz.)

* Due to a large number of light source types, the maximum load depends on the internal construction of dimmable LEDs and ESL bulbs and their power factor cos φ. The power factor of dimmable LEDs and ESL bulbs ranges from cos φ = 0.95 to 0.4. An approximate value of maximum load may be obtained by multiplying the load capacity of the dimmer by the power factor of the connected light source.

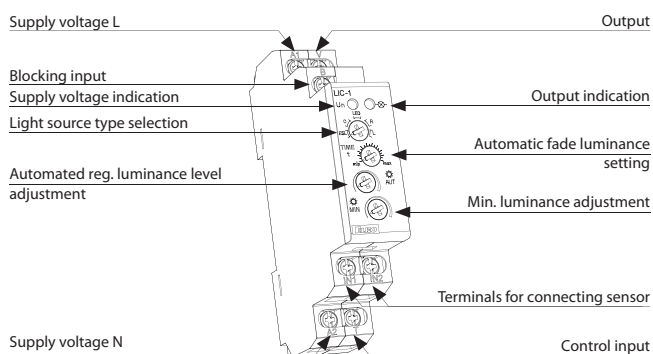
- Overview of dimmable light sources on page 157

Warning: it is not allowed to connect inductive and capacitive loads at the same time.

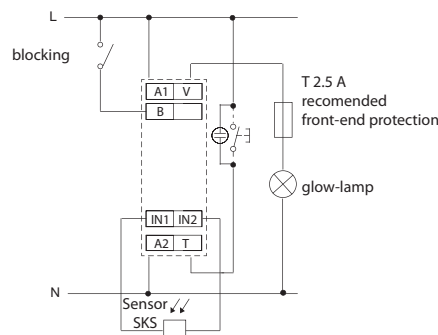
- Designed for dimming of incandescent bulbs and halogen lights with wound or electronic transformer, dimmable light bulbs and dimmable LED².
- Automatically regulates the intensity of light in a room.
- External sensor scans the intensity and based on the preset value it decreases or increases the brightness of light.
- Operating status:
 - 1 - Off.
 - 2 - Automatic regulation.
 - 3 - Cleaning (maximum level of illumination).
 - 4 - Setting the minimum lighting brightness.
 - 5 - Setting the desired level of illumination.
- Optional connection of buttons with 50 neon lamps.
- Blocking the automatic control via external signal.
- Power supply 230 V AC.
- 1-MODULE, DIN rail mounting, clamping terminals.

² For more information, see page 41

Description



Connection



Function

T-button control:

- pressing button shortly (< 0.5s) always turns of lamp
- pressing button longer (0.5... 3s) turns on lamp in automatic regulation mode
- pressing button long (> 3s) turns on lamp to full illumination - „cleaner“ mode
- after turning on the power supply, the dimmer is always turned off

Thyristor B:

serves to block automatic regulation (lamp turns off).

WARNING! The lamp may be turned on in “cleaner” mode even while blocked.

After ending block mode, the lamp remains off.

Symbol

