

NEW

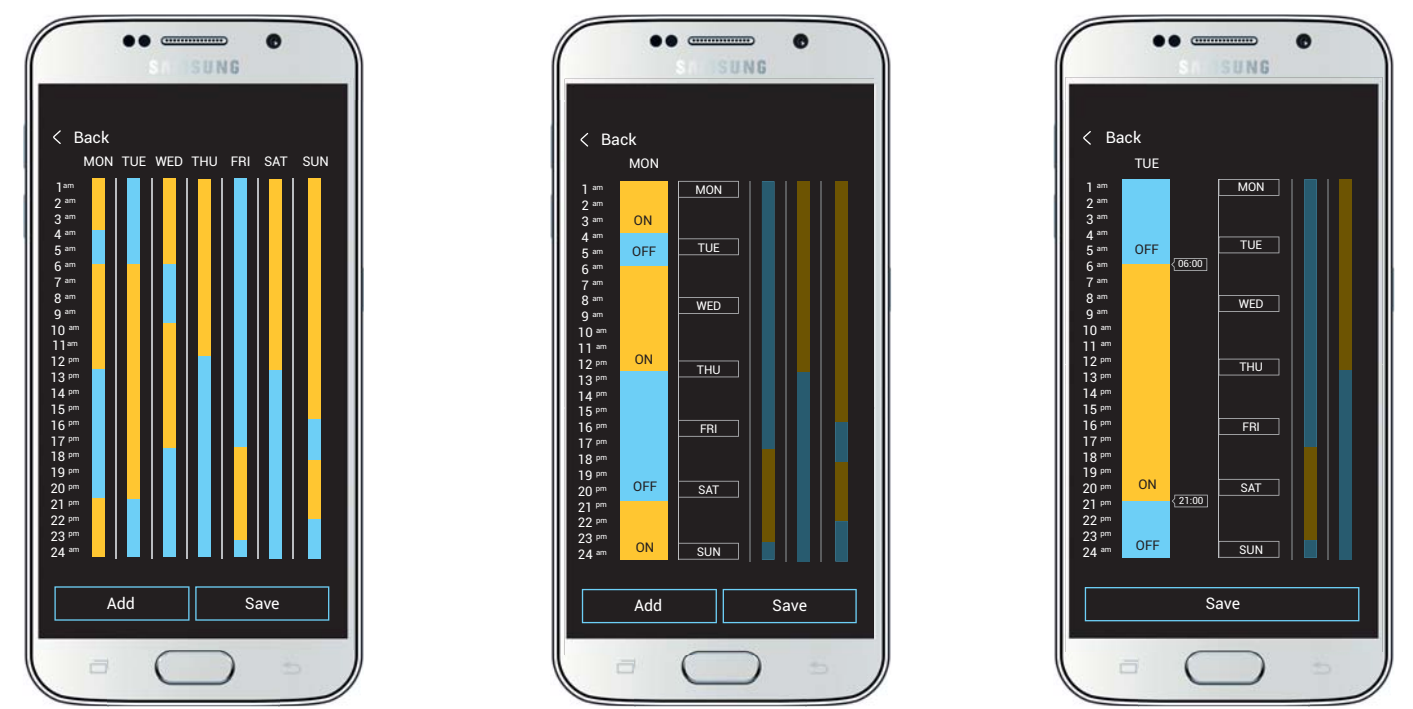
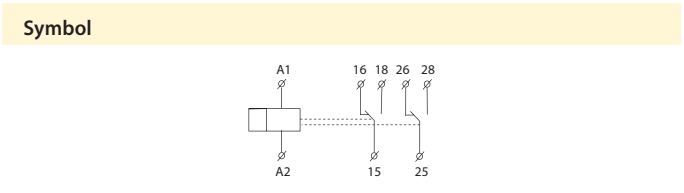
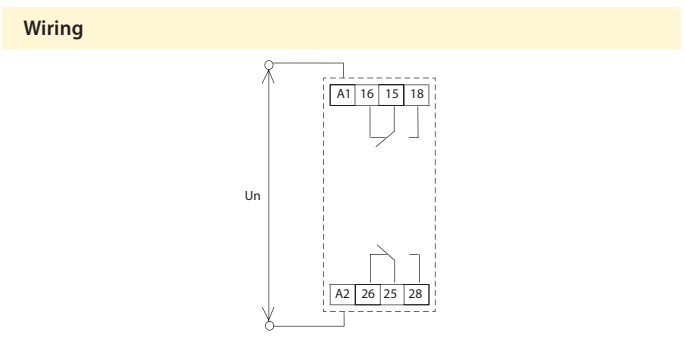
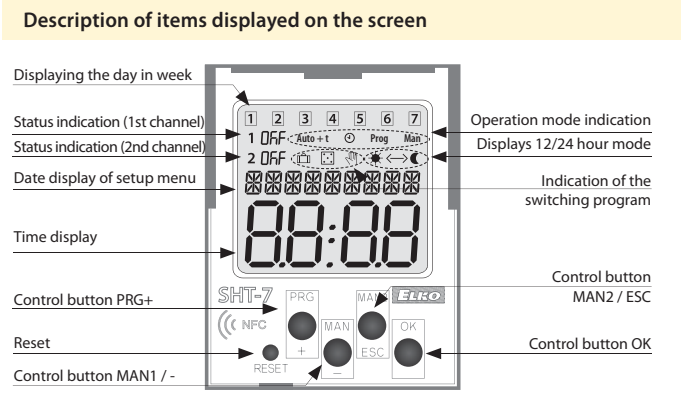
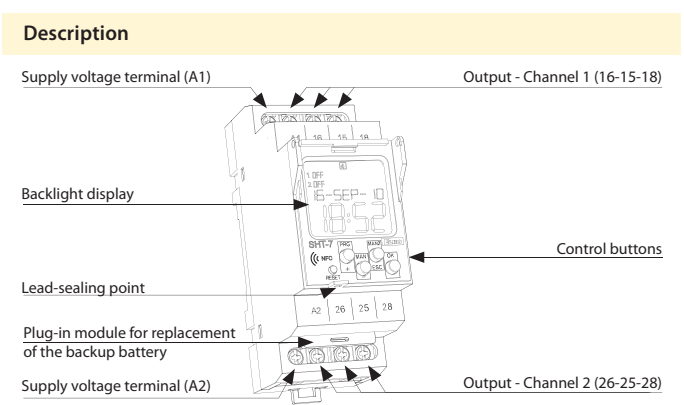


EAN code  
SHT-7: 8595188135498



Technical parameters		SHT-7
Power supply terminals:	A1 - A2	
Supply voltage:	AC 230 V / 50 - 60 Hz	
Input power:	AC max. 14 VA / 2 W	
Supply voltage tolerance:	-15 %; +10 %	
Real time back-up:	yes	
Transition to summer /winter time:	automatic	
Output		
Number of contacts:	2x changeover / SPDT (AgSnO <sub>2</sub> )	
Rated current:	16 A / AC1	
Switching power:	4000 VA / AC1, 384 W / DC	
Peak current:	30 A / < 3 s	
Switching voltage:	250 V AC1 / 24 V DC	
Mechanical service life:	> 3x10 <sup>7</sup>	
Electrical service life (AC1):	> 0.7x10 <sup>5</sup>	
Timing circuit		
Real time reserve:	up to 3 years	
Accuracy of operation:	max. ±1 s per day, at 23°C (73 °F)	
Minimum triggering interval:	1 minute	
Program data storage period:	10 years at minimum	
Programming circuit		
Number of memory locations:	100	
Program:	daily, yearly (until 2099)	
Interface NFC:	daily, yearly (until 2099)	
Data display:	LCD display, backlight	
Other information		
Operating temperature:	-20.. +55 °C (-4 °F to 131 °F)	
Storage temperature:	-30.. +70 °C (-22 °F to 158 °F)	
Electrical strength:	4 kV (power supply - output)	
Operating position:	any	
Mounting:	DIN rail EN 60715	
Protection degree:	IP10 terminals, IP40 from front panel	
Overvoltage category:	III.	
Polution degree:	2	
Max. cable size (mm <sup>2</sup> ):	max. 2x 2.5, max. 1x 4 with sleeve max. 1x 2.5, max. 2x 1.5 (AWG 12)	
Dimensions:	90 x 35.6 x 64 mm (3.5" x 1.4" x 2.5")	
Weight:	129 g (4.55 oz.) - without battery	
Standards:	EN 61812-1, EN 61010-1	

- Digital switch timer clock with day and year program and setting via smartphone supporting NFC transfer
- Timer switch - switching based on real time in day and week mode
- 100 memory locations for on / off setting
- OFF line setting of programs in the application
- Backup / insertion into the phone memory for transfer to the next timer switch
- two-channel design, where each channel is programmable independently of the other.
- automatic switching between winter and summer time.
- sealable transparent cover on the front panel.
- data and time backup using the battery.
- battery life - up to 3 years.
- easy replacement of the backup battery through the plug-in module, no disassembling is required.
- supply voltage: AC 230 V.
- 2-MODULE, DIN rail mounting.



Through simple steps in the application you can set the desired on and off settings based on real time. You can copy this setting to other days, and altogether you can store up to 100 programs. The entire setup project can be saved to your smartphone and transferred to the next timer switch. The smartphone application serves not only to upload settings but also to download. The main benefit is speed and simplicity.



Near Field Communication is the way of wireless communication of two devices within a short distance of a few centimeters. A typical example of NFC is credit card payment, but now our ability to control your timing clock is also an option. You can also conveniently set it up using a smartphone and transfer these set modes to other devices, clone them or back them up.